

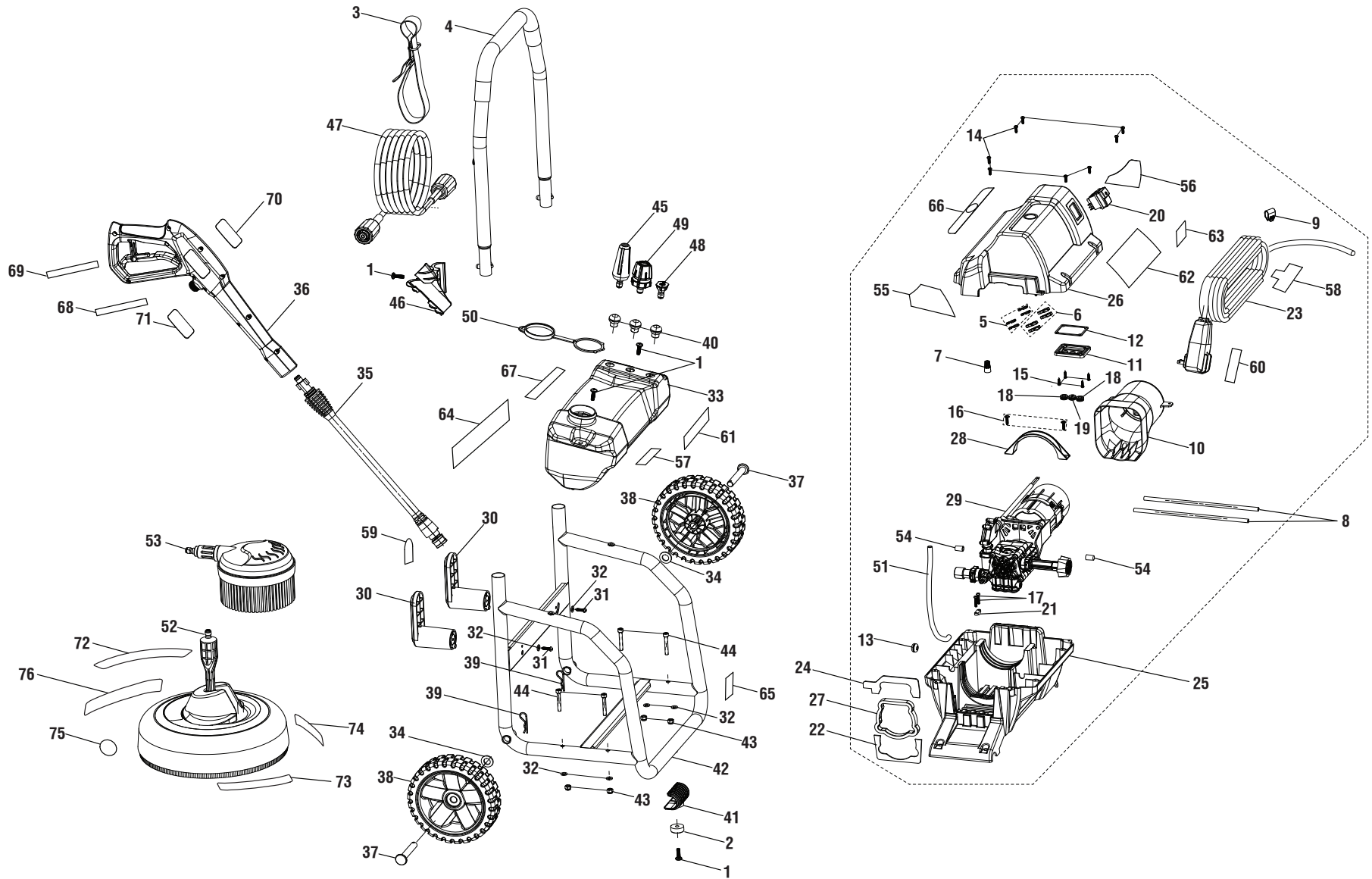


**ELECTRIC PRESSURE WASHER
ITEM NO. BM80721SB
MFG NO. 090079362
REPLACEMENT PARTS LIST**

OWT INDUSTRIES, INC.

P.O. Box 1427
Anderson, SC 29622 USA
1-800-726-5760
www.blackmaxtools.com

Figure A



BLACKMAX PRESSURE WASHER – MODEL NO. BM80721SB

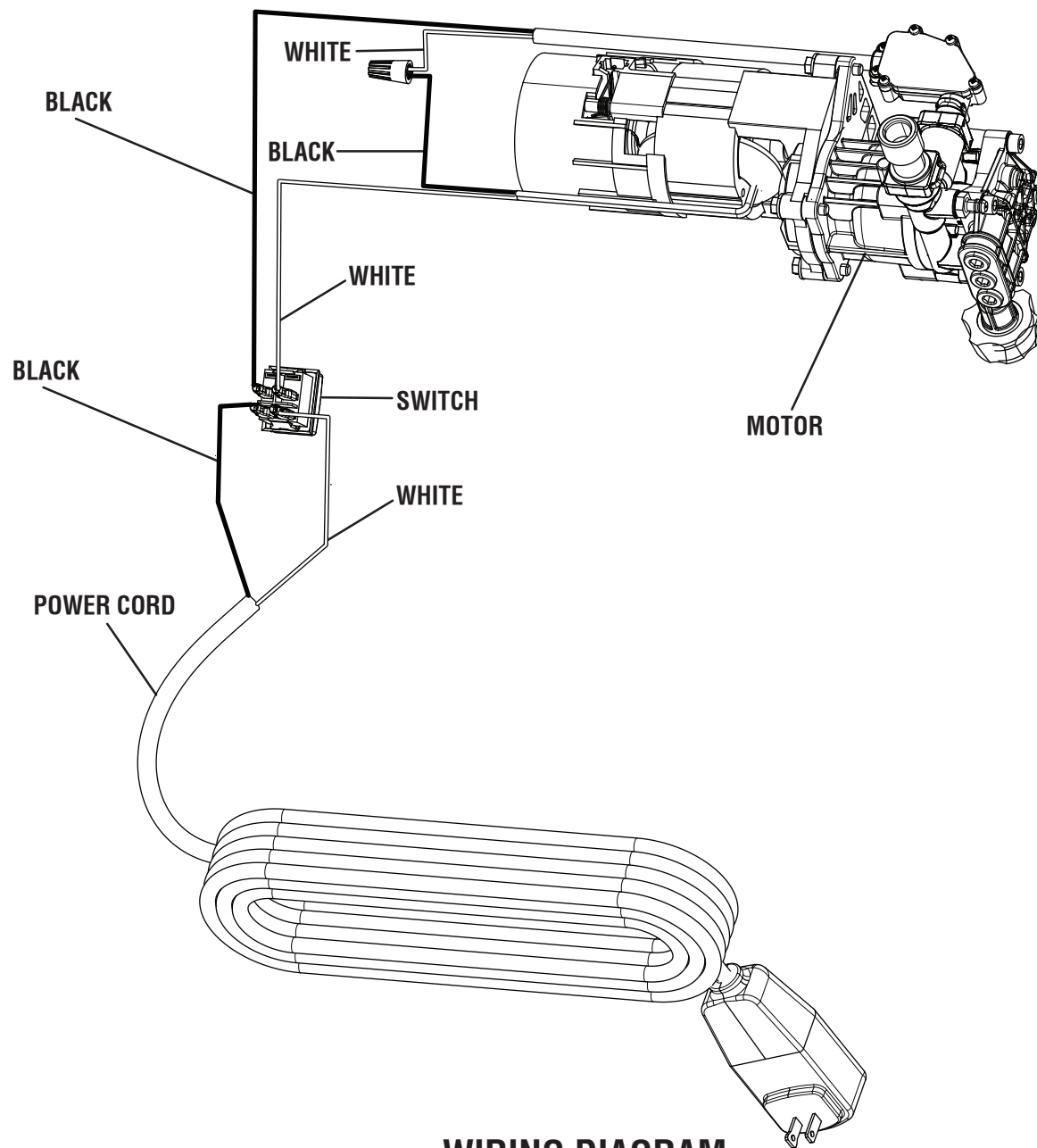
The model number will be found on a label attached to pump housing. Always mention the model number in all correspondence regarding your **PRESSURE WASHER** or when ordering replacement parts.

FIGURE A PARTS LIST

KEY NO.	PART NUMBER	DESCRIPTION	QTY.	KEY NO.	PART NUMBER	DESCRIPTION	QTY.
1	660481019	Bolt (M6 x 20 mm)	4	41	523406008	Plastic Foot	1
2	570554018	Rubber Foot	1	42	308582071	Main Frame	1
3	310801004	Hose Storage Strap	1	43	678460001	Lock Nut (M6)	4
4	308638050	Handle Assembly	1	44	660481015	Bolt (M6 x 40 mm)	4
5	630236004	Terminal Connector	4	45	308311014	Turbo Nozzle	1
6	527784005	Plastic Sleeve	4	46	519313010	Trigger Handle Holder	1
7	870601001	Wire Nut	1	47	308835065	High Pressure Hose	1
8	570113003	Thermal Sleeve	2	48	308698023	15° Nozzle	1
9	528499001	Cord Clip	1	49	308311023	Soap Blaster Nozzle	1
10	522038007	Air Shroud	1	50	310650004	Detergent Cap	1
11	570417002	Switch Cover	1	51	561399009	Detergent Injection Hose	1
12	570740016	Switch Cover Gasket	1	52	308999035	Surface Cleaner Attachment (11 in.)	1
13	561383025	Grommet (Housing)	1	53	308073011	Rotary Brush Attachment	1
14	661403016	Screw (M4.2 x 15 mm, Pan Hd.)	8	54	570570002	Bushing	2
15	661403015	Screw (M2.9 x 14 mm, L.H.)	4	55	940654309	Regulatory Danger Label	1
16	661403014	Screw (M4.2 x 16 mm, Washer Hd.)	2	56	940707084	Danger Label	1
17	661610008	Screw (M3.5 x 20 mm, Button Hd.)	2	57	941608005	Soap Dilution Label	1
18	561383012	Grommet (ID7.2 x OD11)	2	58	940324013	Cordwrap Warning Label	1
19	561383024	Motor Grommet	1	59	941076001	Cord Unlock Label	1
20	760504007	Main Switch	1	60	940603006	Cord Plug Label	1
21	522051003	Cord Clamp	1	61	940779203	Performance Label	1
22	525894001	Gasket	1	62	940705378	Logo Label	1
23	290426022	Power Cord	1	63	940734079	On/Off Switch Label	1
24	525894002	Gasket	1	64	940617187	Quick Start Label	1
25	522038004	Bottom Housing	1	65	941486009	Inquiries Label	1
26	522032027	Top Housing	1	66	940786041	Nozzle Selection Label	1
27	980414010	Foam	1	67	940608036	Detergent Tank Label	1
28	525893001	Bracket/Motor Strap	1	68	940904003	Trigger Handle Rating Label	1
29	NOTE	Motor and Pump Assembly	1	69	940324024	Trigger Handle Warning Label (French/Spanish)	1
30	522037003	Cord Wrap Arm	2	70	940324040	Trigger Handle Warning Label (English)	1
31	661403019	Screw (M4.8 x 19 mm, Button Hd.)	2	71	940786057	Trigger Handle Logo Label	1
32	678600010	Washer (M6)	6	72	940779204	Performance Label	1
33	580875026	Soap Tank	1	73	940654299	Surface Cleaner Danger Label	1
34	678889003	Washer (ID12.5 x OD24 x 2t)	2	74	940324041	Surface Cleaner Rating Label	1
35	308494075	Spray Wand	1	75	940507002	No Hands Label (Cleaning Deck)	1
36	308760059	Trigger Handle	1	76	940705289	Logo Label	1
37	620599029	Wheel Axle	2		Not Shown:		
38	308603007	Wheel	2		995000132	Operator's Manual	
39	678238004	Cotter Pin	2				
40	561383021	Nozzle Grommet	3				

NOTE: Techtronic Industries Power Equipment, Inc. will not provide a complete motor/pump as a replacement part. Contact our service department for assistance.

BLACKMAX PRESSURE WASHER – MODEL NO. BM80721SB



WIRING DIAGRAM